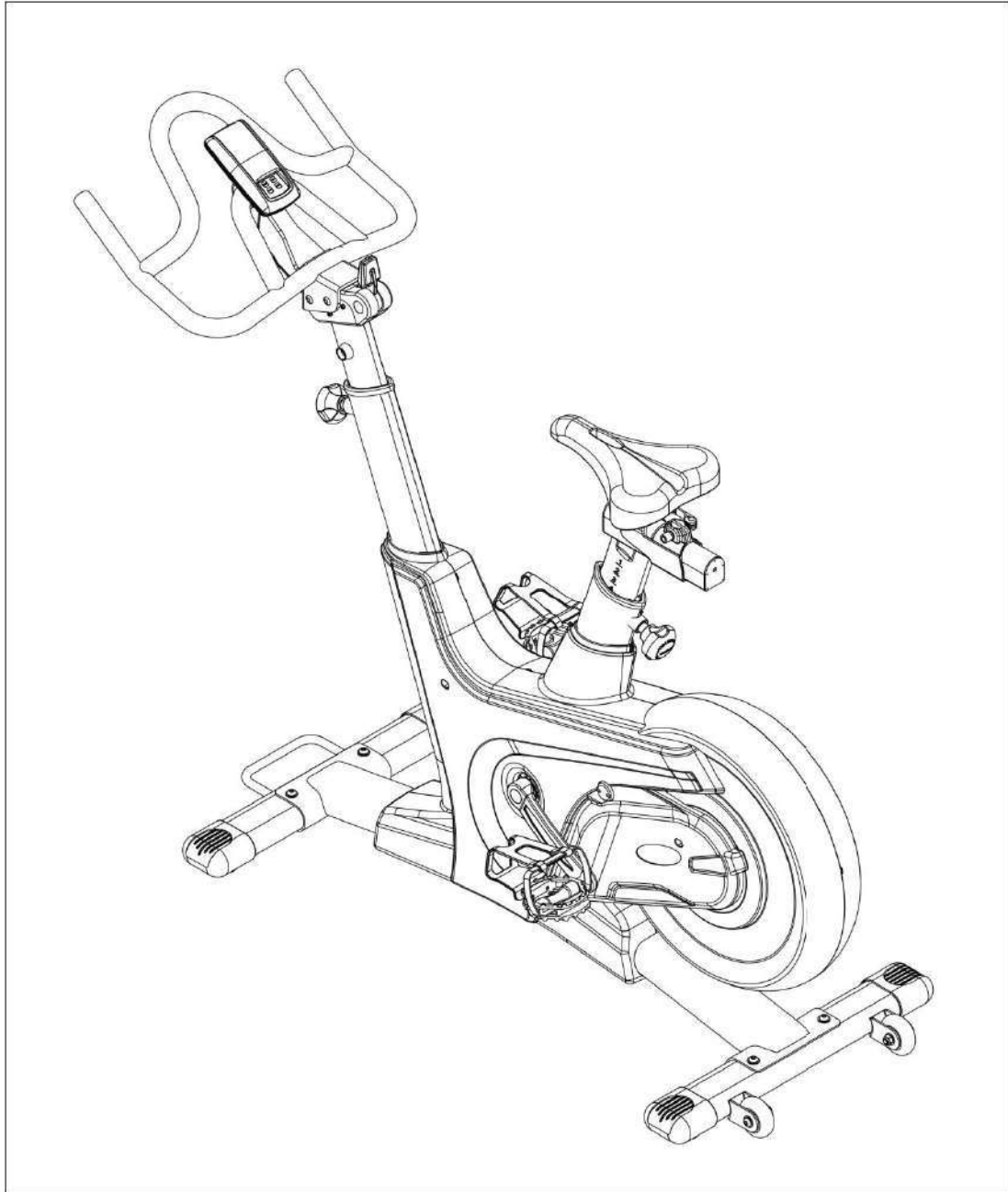


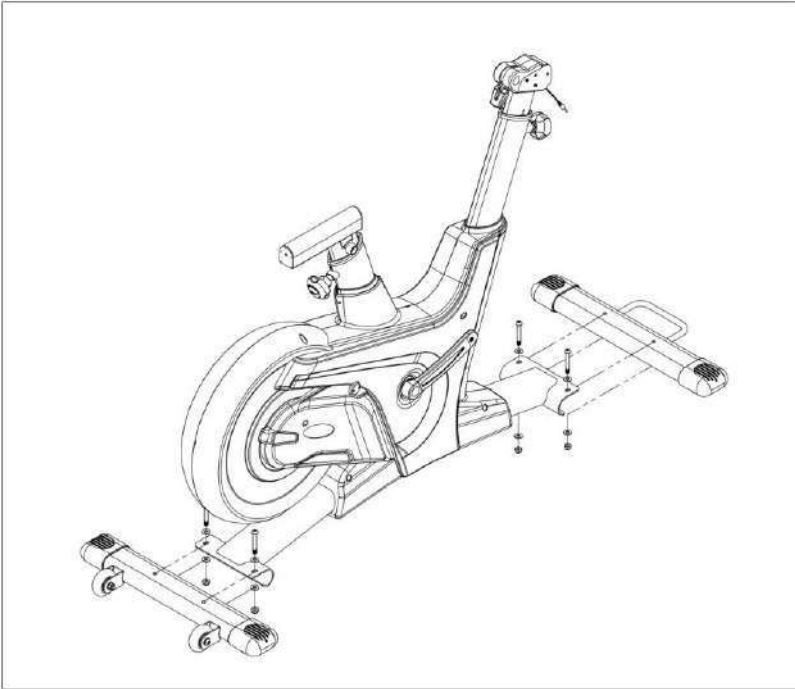
# OWNER 'S MANUAL



X50-105 202112

## ASSEMBLY STEP 1

Attach Front Foot Set & Rear Foot Set to the Main Frame using M8\*55L Screw (49), M8 Washer (50) and M8 Nylon Nut (51).



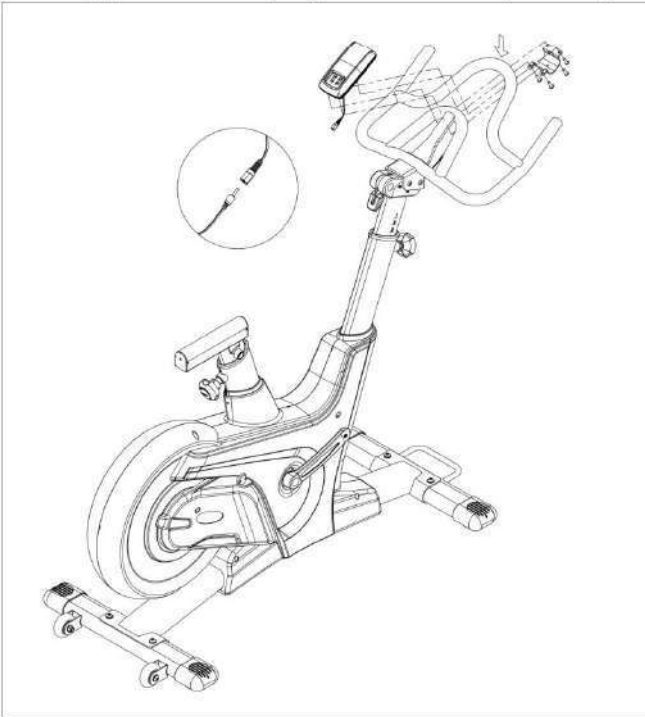
## ASSEMBLY STEP 2

Attach Grip Handle Set (61) to the Handle Post (39) using M8 Round Head Screw (62). Then loosen the Knob (10) to adjust the handle to the wanted height.



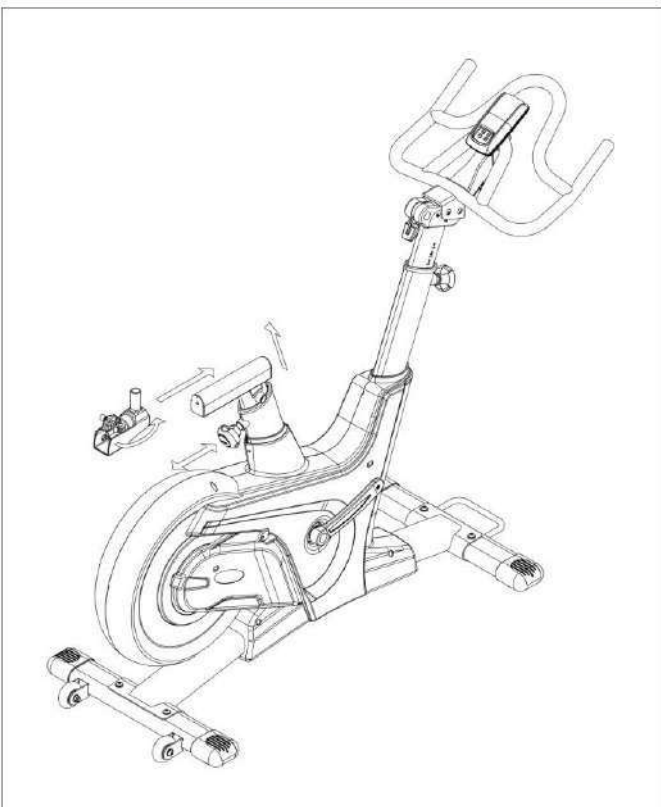
### ASSEMBLY STEP 3

Release M6 Screws (41) on the Computer (70). Then Fasten the Computer (70) on the Handle with the Computer Bracket (74). Plug the Computer Wire to the Upper Wire (71). The Computer (70) also can be installed on front.



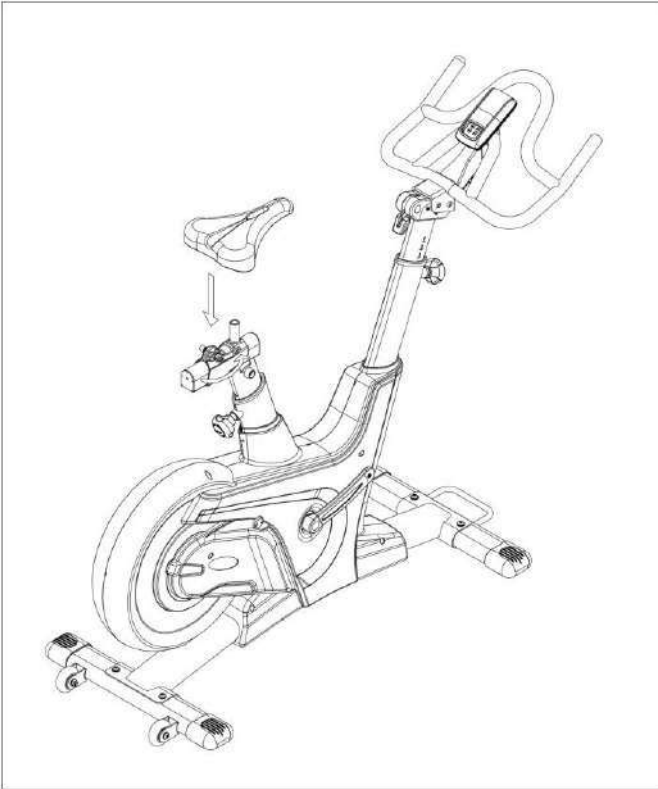
### ASSEMBLY STEP 4

Adjust the Seat Post (55) to the suitable height. Install the Seat Slider at right position on post. Lock with Quick Release Set.



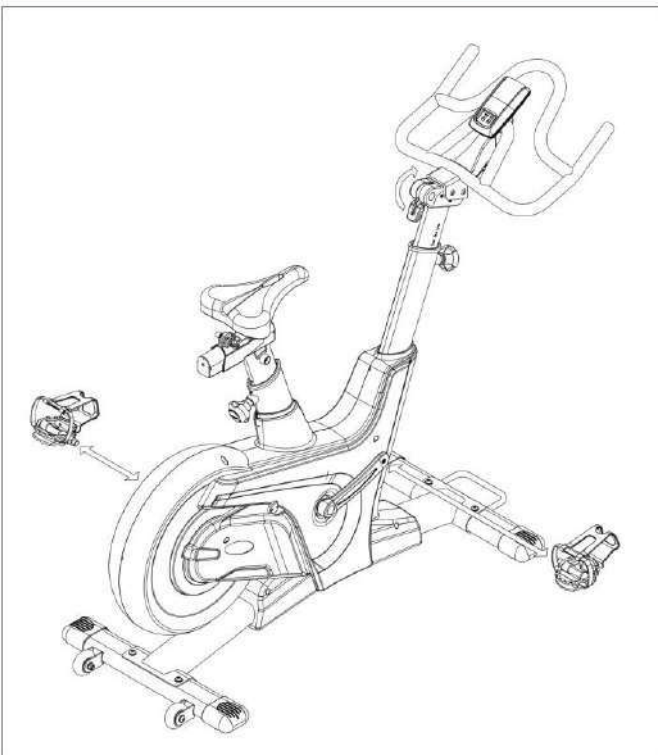
## ASSEMBLY STEP 5

Attach the Seat (57) to the Seat Slider (56) on the Seat Post (55).



## ASSEMBLY STEP 6

Attach the Right Pedal (68) and the Left Pedal (69) to the Cranks ( 8 & 9) with wrench. Switch the Tension Lever of the Tension Assembly (42) to lower level.



# X50 Parts List

No.	Description	QTY
1	Main Frame	1
2	Wire Bracket	1
3	Bushing Bracket	1
4	Socket Loop	2
5	Wire Pulley	1
6	Hex Bushing	1
7	Fixing Bushing	2
8	Right Crank	2
9	Left Crank	2
10	Adjusting Knob	2
11	Crank Cap	2
12	Flange Nut	2
13	M8x12L Screw	5
14	M8x20L Screw	1
15	Round Head Screw	2
16	M8x $\phi$ 23 Washer	2
17	6004 Bearing	2
18	C-20 Clip	2
19	Belt Pulley	1
20	$\Phi$ 400 Spinner Pulley	1
21	6202 Bearing	1
22	6003 Bearing	1
23	One-Way Bearing	1
24	6203 Bearing	3
25	One-Way Pulley	1
26	6000 Bearing	1
27	Flywheel Axle	1
28	M10*4T Nut	1
29	M10*8T Nut	2
30	Tension Rack	1
31	Spring	1
32	M10 Hex Nut	1
33	M10 Nylon Nut	1
34	Washer $\Phi$ 10* $\Phi$ 23	2
35	Magnetic Bracket	1
36	Magnets	5
37	Long Screw Rod	2
38	M5 Umbrella Head Screw	3

No.	Description	QTY
39	Handle Post	1
40	Round Pad	2
41	M6 Screw	2
42	Tension Assembly	1
43	Upper Wire Assembly	1
44	Lower Wire Assembly	1
45	Front Foot	1
46	Oval Tube Cap	4
47	Locking Plate	4
48	Screw Pad	4
49	M8*55L Screw	4
50	M8 Washer	12
51	M8 Nylon Nut	7
52	Rear Foot	1
53	Transport Wheel	2
54	M8*45L Screw	2
55	Seat Post	1
56	Seat Slider	1
57	Seat	1
58	Quick Release-Lever	1
59	Quick Release-Pad	1
60	Quick Release-Nut	1
61	Grip Handle Set	1
62	M8 Round Head Screw	4
63	Poly-V Belt	1
64	Right Shroud	1
65	Left Shroud	1
66	Front Sealing	1
67	Rear Sealing	1
68	Right Pedal	2
69	Left Pedal	2
70	Computer	1
71	Upper Wire	1
72	Sensor Wire	1
73	Sensing Mag	1
74	Computer Bracket	1
75	M5 Round Head Screw	4
76	1/8"*1/2" Screw	9

# X50 Exploded Diagram

