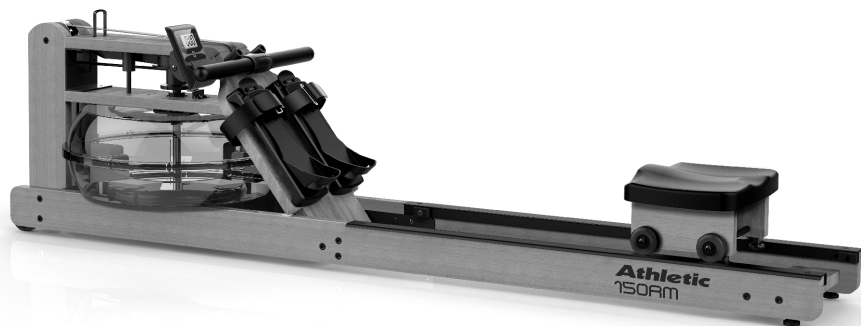


# Rower Remo

# ***Athletic***

Instruction Manual / Manual de Instrucciones





It is with great pleasure that we offer you the opportunity, guidance and encouragement to practice aerobic and muscular exercises, getting like this, the physical preparation needed to feel good.

We guarantee a reliable and modern product, produced with high technology for people who care about their well-being.

This manual covers the main information, the basic structure and the main operation and preventive maintenance. It will help you familiarize yourself with all the equipment functions, for you enjoy it for a long time.

Es con gran placer que le ofrecemos, orientación, estímulo y oportunidad de practicar ejercicio aeróbico y muscular, ganando la preparación física necesaria para sentirse bien.

Nosotros garantizamos un producto confiable y moderno, producido con alta tecnología por personas que se preocupan por su bienestar.

Este manual cubre los datos clave, la estructura básica y principales procedimientos de operación y mantenimiento preventivo. Te ayudará a familiarizarse con todas las funciones del equipo para asegurar que usted disfrute de su producto por mucho tiempo.



## ATTENTION / ATENCIÓN

Carefully read the safety and usage guidelines contained herein. Follow the guidelines for correct assembly of the product.

**Caution:** Do not push any objects into the openings of the product. Stay clear of moving parts.

**Safety and security:** it is the owner's responsibility to ensure that all users are properly informed about safety precautions, use, maintenance and care of the product.

Lea cuidadosamente las instrucciones de seguridad y uso contenidas en el presente documento. Siga las instrucciones para el correcto montaje del producto.

**Precaución:** No introduzca ningún objeto en las aberturas del producto. Manténgase alejado de las piezas móviles.

**Protección y seguridad:** es responsabilidad del propietario asegurarse de que todos los usuarios estén bien informados sobre las precauciones de seguridad, uso, mantenimiento y cuidado del producto.



**Inappropriate use for children and animals.**

**El uso inapropiado para los niños y los animales.**



**MAX  
110kg**

# CONTENTS

# SUMARIO

|                |   |    |
|----------------|---|----|
| <b>english</b> | SAFETY INFORMATION .....                      | 5  |
|                | COMPONENTS AND TECHNICAL SPECIFICATIONS ..... | 6  |
|                | ASSEMBLY .....                                | 7  |
|                | MONITOR .....                                 | 9  |
|                | PREVENTIVE MAINTENANCE .....                  | 10 |
|                | WARRANTY .....                                | 11 |
| <hr/>          |   |    |
| <b>español</b> | INFORMACIÓN DE SEGURIDAD .....                | 12 |
|                | COMPONENTES Y ESPECIFICACIONES TÉCNICAS ..... | 13 |
|                | MONTAJE .....                                 | 14 |
|                | MONITOR .....                                 | 16 |
|                | MANTENIMIENTO PREVENTIVO .....                | 17 |
|                | GARANTÍA .....                                | 18 |



## SAFETY INFORMATION

Please read this manual before using the product and retain it for future reference to avoid the risk of heating, fire, electric shock, or injury.

It is the owner's responsibility to ensure that all users of the equipment are adequately informed of the safety precautions.

If the equipment is not in perfect condition, call a technical assistant.

### General Considerations

- Place the rower on a flat surface at away from any wall.
- Consult your doctor before starting and during any exercise program. Special attention should be given to children, pregnant women, the elderly, people with heart problems and people with disabilities.
- Keep away from equipment, children and pets, especially during use and do not insert objects into the holes in the equipment.
- Use suitable sportswear. Do not wear loose clothing that can get caught in the equipment. To exercise, always wear shoes, do not walk barefoot or with sandals.
- This device is not intended to be used by people whose physical or mental capacities are reduced or inexperienced, unless they are supervised by a responsible person.
- Children must be supervised to ensure that they do not play with the appliance.

### Observations

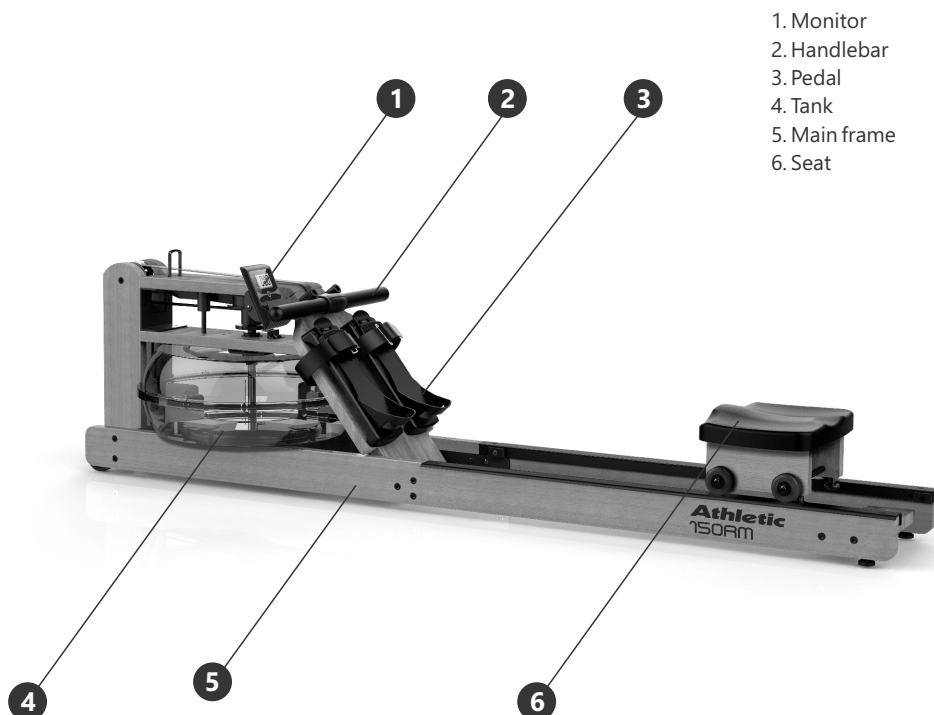
A. Manufacturer / Distributor is not responsible for accidents and their consequences arising from the violation of the original characteristics or assembly outside the factory settings of their products.

B. Reseller or Authorized Technical Assistance is authorized to change these Terms or make commitments on behalf of the Manufacturer / Distributor.

C. Customer is responsible for unfounded technical call costs.

**NOTE:** Figures and photos in this manual are for illustrative purposes only. The Manufacturer / Distributor reserves the right to make changes to the product without prior notice. This manual may illustrate options that are not part of the purchased equipment.

# COMPONENTS AND TECHNICAL SPECIFICATIONS



| Product                  |          | Packaged            |          |
|--------------------------|----------|---------------------|----------|
| Net weight (approximate) | 30,50 kg | Gross weight        | 36,70 kg |
| Maximum width            | 490 mm   | Width (carton box)  | 560 mm   |
| Maximum length           | 1940 mm  | Height (carton box) | 590 mm   |
| Maximum height           | 560 mm   | Length (carton box) | 990 mm   |

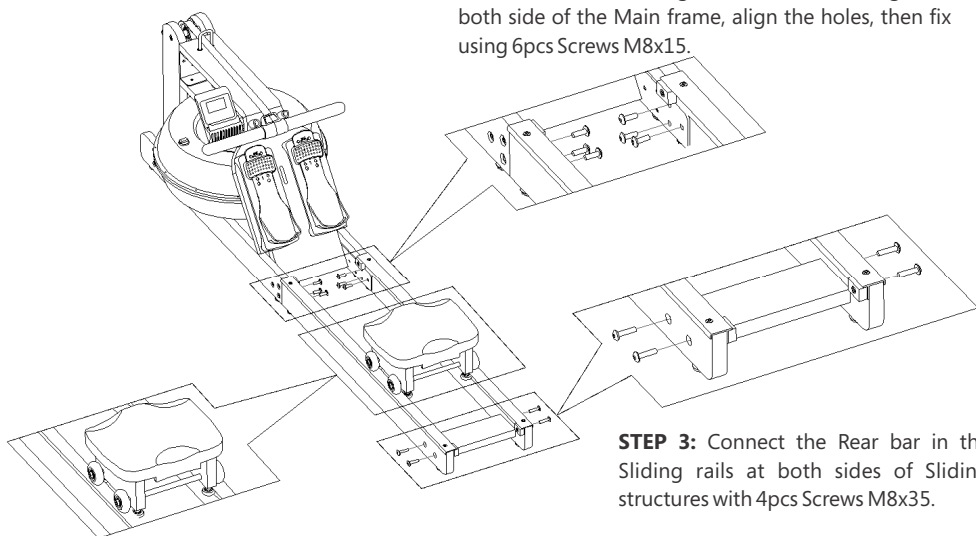
## ASSEMBLY



NOTE: Place the packaging with the equipment on a level surface. It is recommended that you place a protective cover for your floor. Exercise caution when you are loading and transporting equipment. Unpack and assemble the equipment where it will be used. If necessary, ask the help of someone else.

## STEPS

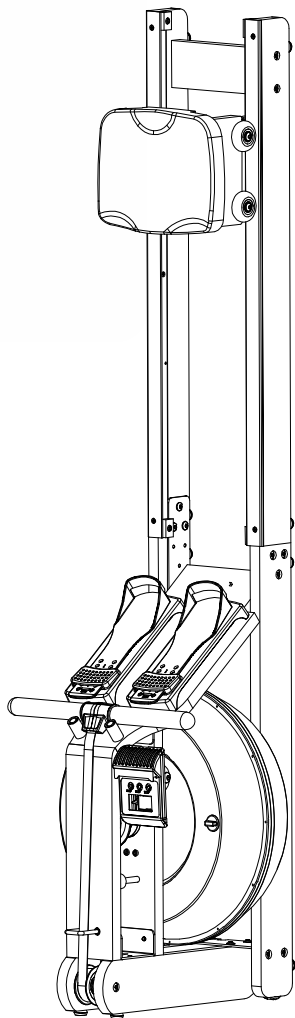
**STEP 1:** Place the Sliding structures (left and right) at both side of the Main frame, align the holes, then fix using 6pcs Screws M8x15.



**STEP 2:** Put the Saddle in the Sliding rails, make sure the wheels are in the track and move smoothly.

**STEP 3:** Connect the Rear bar in the Sliding rails at both sides of Sliding structures with 4pcs Screws M8x35.

# EASY STORAGE SYSTEM



**STORAGE:** to store the Rower, lift the rear part until it is in an upright position.



# MONITOR

## SPECIFICATIONS:

|                     |             |                 |
|---------------------|-------------|-----------------|
| <b>FUNCTIONS</b>    | SCAN        | 6 seconds       |
|                     | TIME        | 0:00 ~ 99:59    |
|                     | TIMES       | 0 ~ 9999        |
|                     | TOTAL TIMES | 0 ~ 9999        |
|                     | CALORIES    | 0 ~ 9999Kcal    |
| BATTERY             |             | 2 AAA batteries |
| WORKING TEMPERATURE |             | 0°C ~ 40°C      |
| STORAGE TEMPERATURE |             | -10°C ~ 60°C    |

**KEY FUNCTION:** This key lets you to select and lock on to a particular function you want.

## OPERATION PROCEDURES:

### 1. RESET:

The unit can be reset by either changing battery or pressing the mode key for 2 seconds.

### 2. MODE:

To choose SCAN or LOCK if you do not want the scan mode, press the key when the pointer on the function you want which begins blinking.

### 3. FUNCTIONS:

1. SCAN: Display changes according to the next diagram every 6 seconds. Automatically display of the following functions in the order shown: TIMES-TIME-TOTAL TIME-CALORIES-SCAN.
2. TIMES: show the time from beginning to the end.
3. TIME: show how long the sport lasts from the beginning to the end, once you stop the timing also stop.
4. TIMES: display the total times, it will become 0 if change the battery.
5. CALORIES: Press the key until pointer lock on to CALORIE. The calorie burned will be displayed when starting exercise.

### NOTE:

1. Without any signal coming in 4 minutes, the LCD display will be shut off automatically.
2. When there is signal input, the monitor automatically turns on.
3. If there is a possibility to see an improper display on the monitor, please replace the batteries to have a good result. You must be to replace the batteries at the same time.
4. The monitor use 2 "AAA" batteries.



## PREVENTIVE MAINTENANCE

Before you use your equipment make sure it is in good condition. Check the general condition of the equipment, as described in "Safety Information". If the equipment is not in perfect condition, contact an Authorized Technical Assistant.

### **CLEANING:**

- Never use abrasive or solvents for cleaning.
- Do not leave the equipment exposed to natural agents such as sunlight, rain, dew, dust, salt spray etc.
- Do not put the treadmill in dusty environments, wet, saunas or anywhere unventilated.
- Always use original spare parts. Improper maintenance can cause damage to the product and loss of warranty.
- If you prefer, this cleaning can be done by a Technical Assistant (see values).

**WARNING:** This equipment is designed for residential use. We assume no responsibility when it is used by gyms, clubs, clinics or condos.

# WARRANTY

## Terms of Guarantee

- A. The warranty procedures will be carried out only upon presentation of the note / original coupon tax of Sale and limitations laid down by these Terms. The guarantee shall be provided by the Authorized Technical Assistance Network.
- B. The conditions set out in this Agreement are guaranteed to the first user purchaser of this product for a period of 6 (six) months (including the legal guarantee period - first 90 (ninety) days, counted from the date of issuance of the note / tax Coupon sale, in the event of exclusively residential use.
- C. Warranty and coverage terms start to count from the date of issue of the sales invoice / coupon, including the legal term of 90 (ninety) days.

| PARTS AND COMPONENTS              | TIME     |
|-----------------------------------|----------|
| Structure                         | 6 months |
| Painting (oxidation)              | 6 months |
| Cables                            | 90 days  |
| Plastic, leather and rubber parts | 6 months |
| Manpower                          | 6 months |

- D. Parts repaired or replaced under this warranty does not stop nor extend the warranty period originally stipulated.
- E. To be used by this warranty, the equipment must have been installed by authorized technical assistant, except for residential products.
- F. Warranty does not cover the installation and preventive maintenance services such as cleaning, lubrication and adjustment of the product.
- G. No dealer is authorized to receive client product to refer you local dealer or this take it to return to it and to provide information on behalf of the Manufacturer / Supplier of the progress of the service. The manufacturer / supplier or consumer support are not responsible for any damage or delay due to this non-compliance.
- H. The Manufacturer / Supplier keep available spare parts until they cease the manufacture or import the equipment. If it ceased the production or import of equipment Manufacturer / Supplier keep the spare supply its line of equipment for a reasonable period of time, according to the law.
- I. Within the period of thirty (30) days if the equipment presents some malfunction, the customer may choose to take the product to an authorized posts or requesting service in your home without travel expenses in those counties covered by the Network Authorized Service. After the period of thirty (30) days or in municipalities not covered by the Technical Assistance Network Authorized expenses resulting from any transport of the equipment to a freight service, removal or technical visit by technical assistant, occur by the customer, whether or not this equipment covered by

- this warranty.
- J. Lubricants, silicones for treadmills, vaseline to the guide weights and micro oil to the joints of weight stations, should be exclusively recommended by the manufacturer, available at Authorized Technical Assistance Network.
- K. Components that wear out with regular use of equipment such as belts, pads, brake bands, felt, steel chains and cables, when this equipment will have warranty for a period of 90 days from the invoice or manufacturing defect found by the Authorized Technical Assistance Network.

## Extinction Assurance

- This warranty will be considered void when:
  - A. Expiry of the warranty term.
  - B. Equipment repaired by a person not authorized by the Manufacturer / Supplier, if signs of violation of its original characteristics or non-factory assembly are found.
  - C. Damage suffered by the equipment due to improper use, use of inappropriate cleaning products, oxidation from external agents, wear, neglect, modification, use of accessories not recommended, inadequate design for the intended application, falls, perforations, use and opposite installation to the operating instructions.
  - D. For residential line is prohibited any type of user equipment maintenance or a third party other than the technical assistance network.
  - E. The product is used in gyms, condominiums, clinics, clubs, sauna, submerged in water or use so that it resembles other than for residential purpose or the application of the purpose intended.

## Comments:

- A. cables, carabiners, pedals when existing in the product should be replaced once a year.
- B. The Manufacturer / Supplier is not responsible for any accidents and their consequences, arising from breach of the original features or assembly out of their equipment factory default.
- C. Customer's responsibility are those resulting from unfounded judged answering calls.

**Note:** Manufacturer / Supplier reserves the right to make changes without notice this.



## INFORMACIÓN DE SEGURIDAD

Lea este manual antes de usar el producto y consérvelo para consultarlo en el futuro para evitar el riesgo de calentamiento, incendio, descarga eléctrica o lesiones. Es responsabilidad del propietario asegurarse de que todos los usuarios del equipo estén adecuadamente informados sobre las precauciones de seguridad. Si el equipo no está en perfectas condiciones, llamar a un asistente técnico.

### Consideraciones Generales

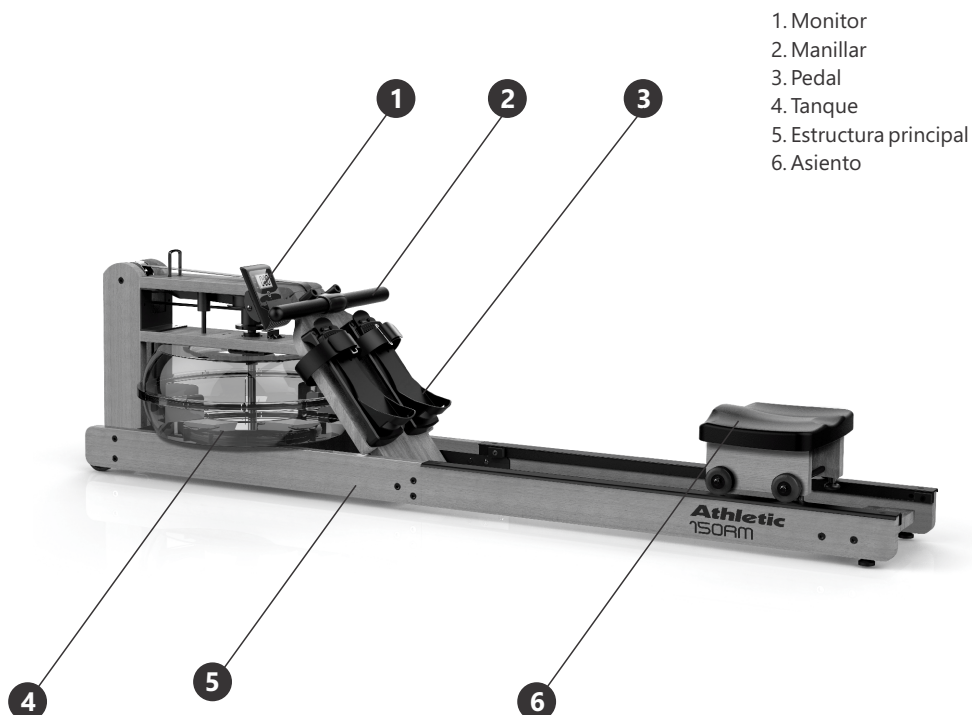
- Coloque el home gym en una superficie plana y distante de cualquier pared.
- Consulte a su médico antes de iniciar y durante cualquier programa de ejercicios. Debe ser dada especial atención a los niños, mujeres embarazadas, ancianos, personas con problemas de corazón y las personas con discapacidad.
- Mantener alejado de los equipos, los niños y los animales domésticos, sobre todo durante el uso y no introduzca objetos en los orificios del equipo.
- Utilizar ropa deportiva adecuada. No use ropa suelta que pueda quedar atrapado en el equipo. Para ejercitarse, siempre use zapato, no camine descalzo o con sandalias.
- Este aparato no está destinado para ser usado por personas cuyas capacidades físicas o mentales estén reducidas o sin experiencia, salvo se tienen supervisión por persona responsable.
- Los niños deben ser supervisados para asegurar que no juegan con el aparato.

### Observaciones

- A. El Fabricante/Distribuidor no es responsable de los accidentes y sus consecuencias derivadas de la violación de las características originales o montaje fuera de los ajustes de fábricas de sus productos.
- B. Ningún Revendedor o Asistencia Técnica Autorizada está autorizado a cambiar estos Términos o asumir compromisos en nombre del Fabricante/Distribuidor.
- C. El cliente es responsable pelos costos de llamada técnicas infundadas.

**NOTA:** figuras y fotos en este manual son meramente ilustrativas. El Fabricante/Distribuidor se reserva el derecho de realizar cambios en el producto sin previo aviso. Este manual puede ilustrar opcionales que no forman parte del equipo adquirido.

# COMPONENTES Y ESPECIFICACIONES TÉCNICAS



| Producto               |          | Empaquetado             |          |
|------------------------|----------|-------------------------|----------|
| Peso neto (aproximado) | 30,50 kg | Peso bruto              | 36,70 kg |
| Ancho máximo           | 490 mm   | Ancho (caja de cartón)  | 560 mm   |
| Largo máxima           | 1940 mm  | Altura (caja de cartón) | 590 mm   |
| Altura máxima          | 560 mm   | Largo (caja de cartón)  | 990 mm   |

# MONTAJE

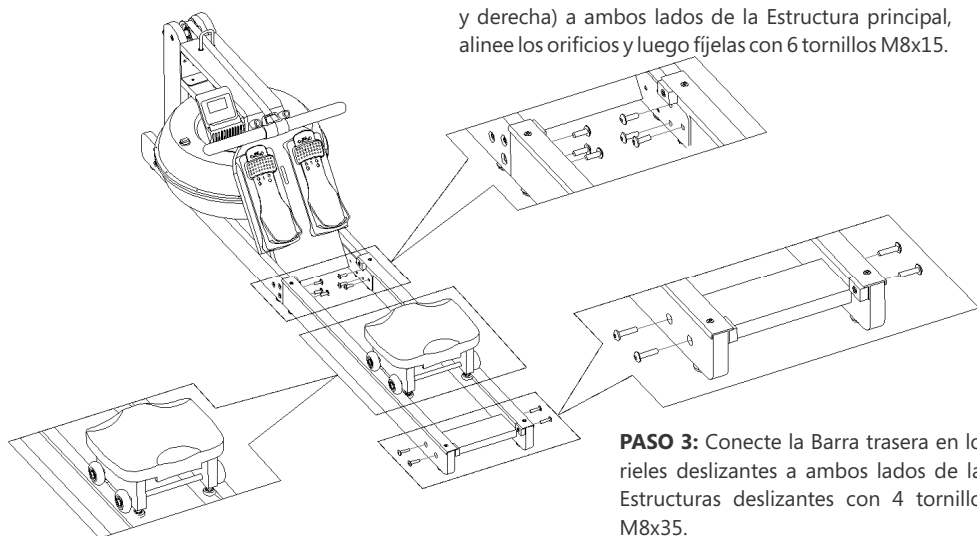


NOTA: Coloque la embalaje con el equipo en una superficie plana. Se recomienda que coloque una cubierta protectora para su piso. Tenga precaución al que va a cargar y transportar el equipo. Desembale y montar el equipo donde se utilizará.

Si es necesario, pida la ayuda de otra persona.

## STEPS

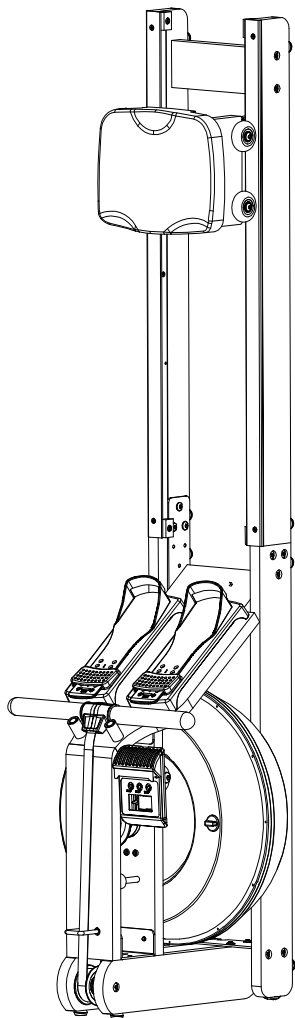
**PASO 1:** Coloque las Estructuras deslizantes (izquierda y derecha) a ambos lados de la Estructura principal, alinee los orificios y luego fijelas con 6 tornillos M8x15.



**PASO 2:** Coloque el Asiento en los rieles deslizantes, asegúrese de que las ruedas estén en la pista y se muevan suavemente.

**PASO 3:** Conecte la Barra trasera en los rieles deslizantes a ambos lados de las Estructuras deslizantes con 4 tornillos M8x35.

## SISTEMA DE ALMACENAMIENTO FÁCIL



**ALMACENAMIENTO:** para almacenar el Remero, levante la parte trasera hasta que esté en posición vertical.

# MONITOR

## ESPECIFICACIONES:

|                               |               |                |
|-------------------------------|---------------|----------------|
| <b>FUNCIONES</b>              | SCAN          | 6 segundos     |
|                               | TIEMPO        | 0:00 ~ 99:59   |
|                               | VECES         | 0 ~ 9999       |
|                               | VECES TOTALES | 0 ~ 9999       |
|                               | CALORÍAS      | 0 ~ 9999Kcal   |
| BATERÍA                       |               | 2 AAA baterías |
| TEMPERATURA DE TRABAJO        |               | 0°C ~ 40°C     |
| TEMPERATURA DE ALMACENAMIENTO |               | -10°C ~ 60°C   |

**FUNCIÓN DE LA TECLA:** Esta tecla le permite seleccionar y bloquear una función particular que desee.

## PROCEDIMIENTOS DE OPERACION:

### 1. RESET:

La unidad se puede reiniciar cambiando la batería o presionando la tecla durante 2 segundos.

### 2. MODE:

Para elegir ESCANEAR o BLOQUEAR si no desea el modo de escaneo, presione la tecla cuando el puntero de la función que desea comience a parpadear.

### 3. FUNCIONES:

1. SCAN: La pantalla cambia de acuerdo con el siguiente diagrama cada 6 segundos. Visualización automática de las siguientes funciones en el orden mostrado: VECES-TIEMPO-VECES TOTALES-CALORÍAS-SCAN.

2. TIMES: muestra las veces desde el principio hasta el final.

3. TIME: muestra cuánto tiempo dura el deporte desde el principio hasta el final, una vez que dejas el cronometraje también se detiene.

4. TIMES: muestra las veces totales, se volverá 0 si cambia la batería.

5. CALORÍAS: presione la tecla hasta que el puntero se bloquee en CALORÍAS. Las calorías quemadas se mostrarán al iniciar el ejercicio.

### NOTA:

1. Si no llega ninguna señal en 4 minutos, la pantalla LCD se apagará automáticamente.

2. Cuando hay entrada de señal, el monitor se enciende automáticamente.

3. Si la pantalla no se enciende, reemplace las baterías. Debe reemplazar ambas baterías al mismo tiempo.

4. El monitor utiliza 2 pilas "AAA".





## MANTENIMIENTO PREVENTIVO

Antes de usar su equipo asegúrese de que está en buenas condiciones. Verificar el estado general del equipo, como se describe en "Información de seguridad". Si el equipo no está en perfectas condiciones, en contacto con un asistente técnico autorizado.

### **LIMPIEZA:**

- Nunca utilizar disolventes o abrasivos para la limpieza.
- No dejar el aparato expuesto a los agentes naturales como el sol, la lluvia, el rocío, el polvo, niebla salina, etc.
- No coloque la caminadora en ambientes con polvo, húmedos, saunas o en cualquier lugar sin ventilación.
- Utilice siempre repuestos originales. Un mantenimiento inadecuado puede dañar el producto y perder la garantía.
- Si lo prefiere, esta limpieza puede realizarla un Asistente Técnico (consulte valores).

**ADVERTENCIA:** Este equipo está diseñado para uso residencial. No asumimos ninguna responsabilidad cuando es utilizado por gimnasios, clubes, clínicas o condominios.

# GARANTÍA

## Condiciones Generales de la Garantía

- A. La atención en garantía será realizada solamente mediante la presentación de la factura/cupón fiscal original de venta y en los límites establecidos por este término. La garantía será prestada por la Red de Asistencia Técnica Autorizada, que cubre las principales ciudades del país.
- B. Las condiciones establecidas en el presente Acuerdo se garantizan al primer comprador usuario de este producto por un período de seis (6) meses (incluyendo el período de garantía legal - primeros 90 (noventa) días contados a partir de la fecha de emisión del pagaré / cupón fiscal venta, en el caso de uso exclusivamente residencial.
- C. Los períodos de garantía y la cobertura a partir de la fecha de emisión de la venta de cupones de la nota / cupón fiscal venta, incluyendo el plazo estatutario de los noventa (90) días:

| PIEZAS Y COMPONENTES               | TIEMPO  |
|------------------------------------|---------|
| Estructura                         | 6 meses |
| Pintura (oxidación)                | 6 meses |
| Cables                             | 90 días |
| Piezas de plástico, cuero y caucho | 6 meses |
| Mano de obra                       | 6 meses |

- D. Las piezas reparadas o cambiadas bajo esta garantía no se detienen ni se extienden el período de garantía estipulado inicialmente.
- E. Para utilizar esta garantía, el equipo debe haber sido instalado por el asistente técnico autorizado, a excepción de los productos residenciales.
- F. La garantía no cubre los servicios de instalación y mantenimiento preventivo, como la limpieza, lubricación y ajuste del producto.
- G. Ningún revendedor está autorizado a recibir producto de cliente para encamararlo a la Asistencia Técnica Autorizada o de esta retirarlo para devolución al mismo proporcionar informaciones en nombre de Fabricante / Distribuidor sobre el progreso del servicio. El Fabricante / Distribuidor no se responsabilizará por cualquier daño o retraso debido a este incumplimiento.
- H. El Fabricante / Distribuidor mantendrá disponibles los repuestos hasta que dejen de fabricar o importar el equipo. Si cesado la producción o importación de los equipos para mantener el suministro de repuesto el Fabricante / Distribuidor su línea de equipos para un período de tiempo razonable, de acuerdo con la ley.
- I. Dentro del plazo de 30 (treinta) días si el equipo presenta algún mal funcionamiento, el cliente puede optar por llevar el producto a un puesto autorizado o servicios que solicite en su casa sin gastos de viaje en los municipios incluidos en la Red de Asistencia Técnica Autorizada. Transcurrido el plazo de treinta (30) días o municipios no incluidos en la Red de Asistencia Técnica Autorizada los gastos resultantes de cualquier transporte o el equipo a un servicio de carga, desplazamiento o visita técnica por ayudante cualificado, se deben a la cliente, si este equipo cubierto por esta garantía.
- J. Lubricantes, siliconas para caminadoras, vaselina para los pesos de

guía y micro aceite a las articulaciones de las estaciones de peso, se recomienda exclusivamente por el fabricante, disponible en la Red de Asistencia Técnica.

K. Los componentes que se desgastan con el uso regular de los equipos, tales como correas, pastillas, bandas de freno, fieltro, cadenas y cables de acero, cuando está presente en el equipo, garantizan por un período de 90 días a partir de la factura o defecto de fabricación, apreciada por la Red de Asistencia Técnica Autorizada.

## Extinción de la Garantía:

Esta Garantía será considerada sin efecto cuando:

- A. Haya transcurrido normalmente el plazo de su validez.
- B. El equipamiento fuere entregado para reparación de las personas no autorizadas por el Fabricante / Distribuidor, fueren verificados signos de violación de sus características originales o montaje fuera del nivel de fábrica.
- C. Hayan ocurrido daños que este venga a sufrir como consecuencia de mal uso, uso de productos de limpieza inadecuados, la oxidación de origen de los agentes externos, a la intemperie, negligencia, modificación, uso de accesorios no recomendados, mal diseño de la aplicación para la que es, caídas, perforaciones, utilizar e instalación que no esté conforme con el manual de instrucciones.
- D. Para la línea residencial está prohibido cualquier tipo de mantenimiento de equipo de usuario o un tercero distinto de la red de asistencia técnica.
- E. El producto fuere utilizado en academias, condominios, clínicas, clubes, saunas, sumergido en agua o cualquier modo de uso que se asemeje a este, así como cualquier uso que no sea la finalidad de aplicación a que se destina.

## Observaciones:

- A. Cables, mosquetones, pedales cuando ya existente en el producto deben ser reemplazados una vez al año.
- B. Fabricante / Distribuidor no se responsabiliza por eventuales accidentes y sus consecuencias, derivadas de la violación de las características originales o montaje fuera del estándar de fábrica de sus equipamientos.
- C. Son responsabilidad del cliente son los costos de atención de llamadas infundado juzgado.

**Nota:** Fabricante / Distribuidor se reserva el derecho de promover alteraciones de éste sin previo aviso.



***Athletic***